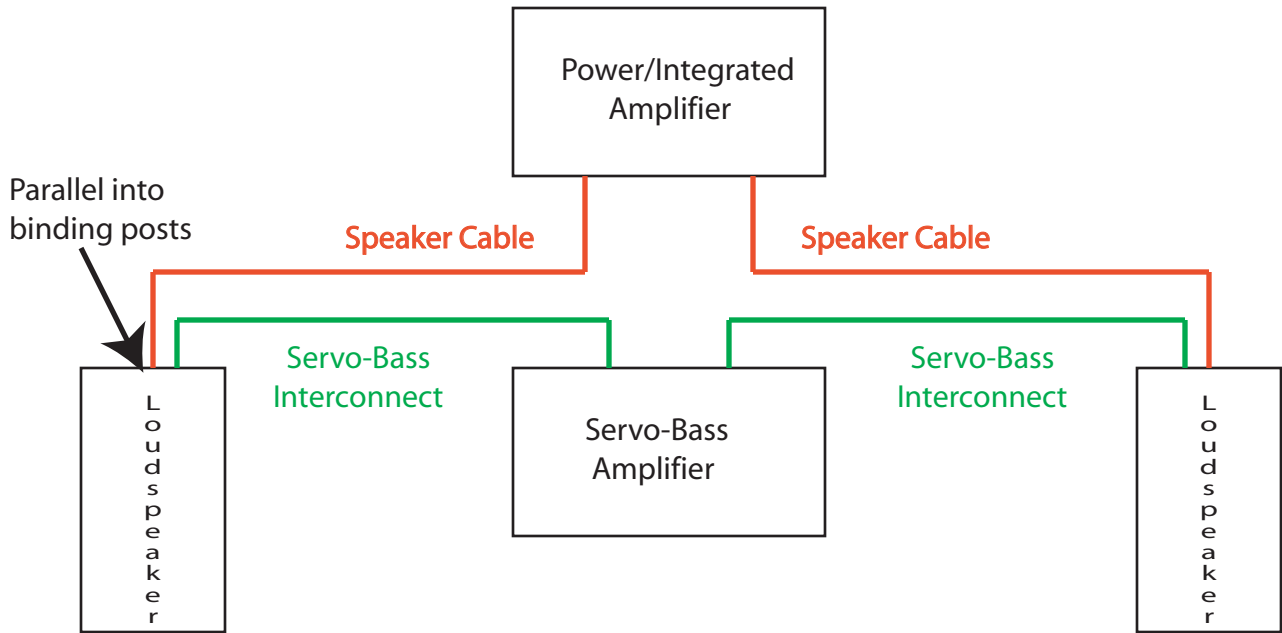


# Connecting the Servo-Bass Interconnect to your system

## Best Scheme



## Alternate Scheme

